

REV.	DESCRIPTION	DATE	BY

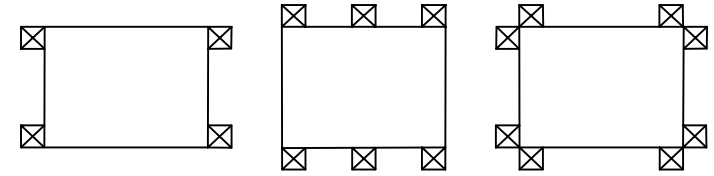
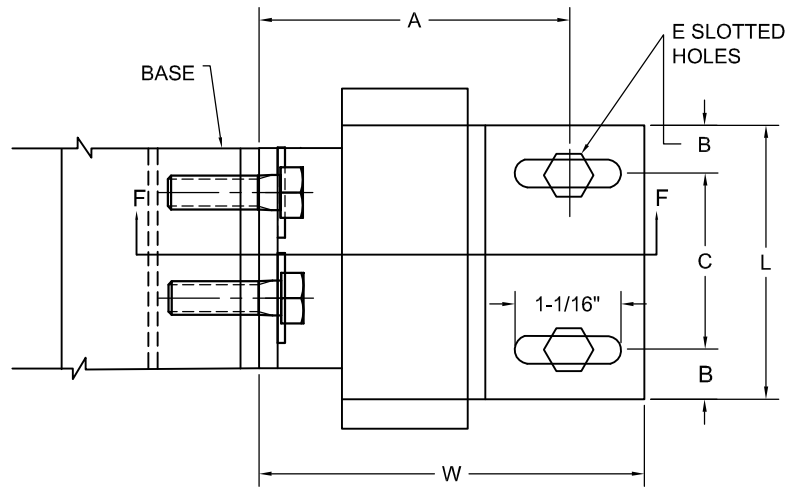
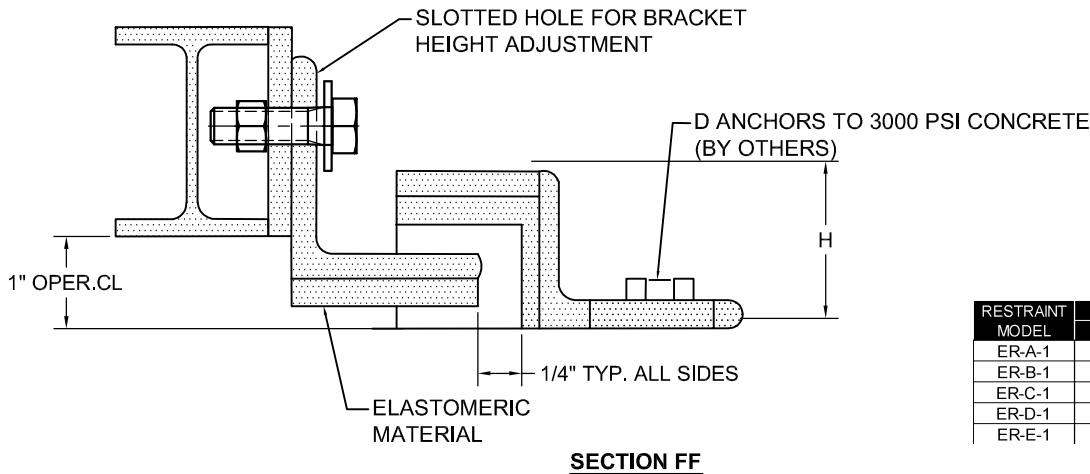


FIGURE 1 (4 RESTRAINTS) FIGURE 2 (6 RESTRAINTS) FIGURE 3 (8 RESTRAINTS)
 RESTRAINT LAYOUT- CONCRETE INERTIA BASES (PLAN VIEW)



- NOTES:**
- 1) LOAD RATINGS ARE MAXIMUM ALLOWABLES BASED ON 1.00 G ACCELERATION.
 - 2) ANCHORS TO CONCRETE MUST BE ITW RAMSET/RED HEAD OR EQUIVALENT.
 - 3) CONTRACTOR TO FIELD WELD CONCRETE ANCHORS TO BODY OF RESTRAINT AND ANGLE CLIP TO BASE AFTER EQUIPMENT IS IN FINAL OPERATING POSITION.
 - 4) MAXIMUM LOAD IS TOTAL OF EQUIPMENT AND BASE WEIGHT.

RESTRAINT MODEL	MAX LOAD (LB)			DIMENSIONS (IN)							
	FIG.1	FIG.2	FIG.3	A	B	C	D	E	H	L	W
ER-A-1	1300	1975	2625	3-3/4	3/4	2-1/2	3/8	7/16	1-1/2	4	4-1/2
ER-B-1	2400	3625	5575	4	3/4	3-1/2	3/8	7/16	1-5/8	5	5-1/2
ER-C-1	3450	5175	7975	4	1	5	3/8	7/16	1-5/8	7	5-1/2
ER-D-1	4650	7000	10650	6	1	6	1/2	9/16	2	8	7-1/2
ER-E-1	7900	11850	15800	6	1	9	5/8	11/16	2	11	7-1/2

OTHER MATERIALS, COMPOUNDS, OR FINISHES WITH EQUAL OR SUPERIOR PROPERTIES MAY BE SUBSTITUTED AS THEY BECOME AVAILABLE.

CERTIFIED FOR:

JOB NAME: _____

CUSTOMER : _____

CUSTOMER P.O.: _____

SALES ORDER: _____

**MODEL ER-1 1300-15800 LBS.
 SNUBBED SEISMIC RESTRAINTS FOR
 STEEL BASE AND RAILS**



SCALE : NONE

SHEET: _____

DRAWING NO.: _____

REVISION _____